

CONCEPTUAL ONLY. APPROXIMATE LOCATION OF BUILDING.

CALLLED: 5.88 ACRES
HENRY A. MELENDEZ
INS. NO. D215063559,
O.P.A.T.C.T.
7308 CONTINENTAL TRAIL

N00°35'27"W - 180.43'
4" IRON/WIRE FENCE
PROPOSED 7.5' UTILITY EASEMENT

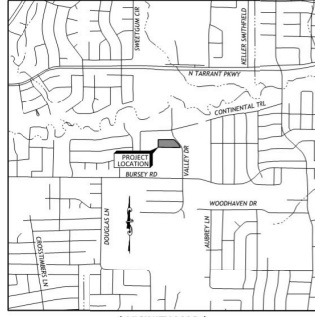
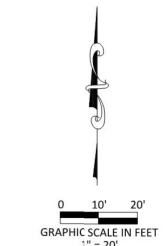
CALLLED: 1.44 ACRES
ORTON FAMILY TRUST
INS. NO. D222183754,
O.P.A.T.C.T.
8041 VALLEY DRIVE

S89°35'51"E - 373.01'

STEPHEN RICHARDSON SURVEY
ABSTRACT NO. 1286
1.8923 ACRES
(82,429 SQ. FT.)
OWNER:
K. DENZLER THORNTON
NO. D203419182, O.P.A.T.C.T.
8033 VALLEY DRIVE

N89°28'33"W - 519.21'

CALLLED: 2.26 ACRES
DOUG & ELIZABETH MANN
INS. NO. D218953418,
O.P.A.T.C.T.
8025 VALLEY DRIVE



- * LEGEND ***
- IRF IRON ROD FOUND
 - O.P.A.T.C.T. OFFICIAL PUBLIC RECORDS TARRANT COUNTY, TEXAS
 - PROPERTY CORNER MARKER FOUND - AS NOTED
 - ⊙ SAN. SEWER MANHOLE
 - CHAIN LINK FENCE
 - IRON/WIRE FENCE
 - ASPHALT EDGE
 - CONCRETE AREA
 - GRAVEL AREA
 - CANOPY - COVERED AREA

THOMAS J. & ELLEN R. HARRIS
INS. NO. D200110716,
O.P.A.T.C.T.
8040 VALLEY DRIVE

R=470.80'
L=80.12'
CB=S45°31'54"E
CL=80.02'

ONE STORY BRICK BUILDING
FLAGSTONE
CONCRETE DRIVE
ASPHALT DRIVE

R=410.78'
L=156.74'
CB=N35°42'52"W
CL=155.79'

JOHN W. & DONNAM. ALBURY
INS. NO. D193220651,
O.P.A.T.C.T.
8024 VALLEY DRIVE

*** GENERAL NOTES ***

1. The bearings shown hereon are referenced to the Texas Coordinate System of 1983, Texas North Central Zone (N202), and are based on the North American Datum of 1983 (NAD83), 2011 Adjustment. Coordinates shown are scaled to surface distances at N: 0.0 and E: 0.0 using a combined scale factor of 1.000120000. All areas shown hereon are calculated based on surface measurements.
2. According to the Flood Insurance Rate Map published by the Federal Emergency Management Agency, Department of Homeland Security, the subject property appears to be located in Zone "X" (areas determined to be outside the 0.2 % annual chance floodplain) as shown on Map No. 48439C0090L; map revised March 21, 2019; for Tarrant County and incorporated areas. This flood statement does not imply that the property and/or structures located in Zone "X" will be free from flooding or flood damage. This flood statement shall not create liability on the part of the Surveyor.
3. The subject tract appears to be located within Zone "AG (Agricultural)" according to the City of North Richland Hills zoning map. The Surveyor did not attempt to interpret the zoning district information mentioned herein. Hereby, the Surveyor advises all interested parties to contact the City of North Richland Hills Planning and Zoning Department to further verify all zoning regulations and restrictions before planning, designing, constructing, or developing on the subject property.

The field work was completed on October 29, 2024.



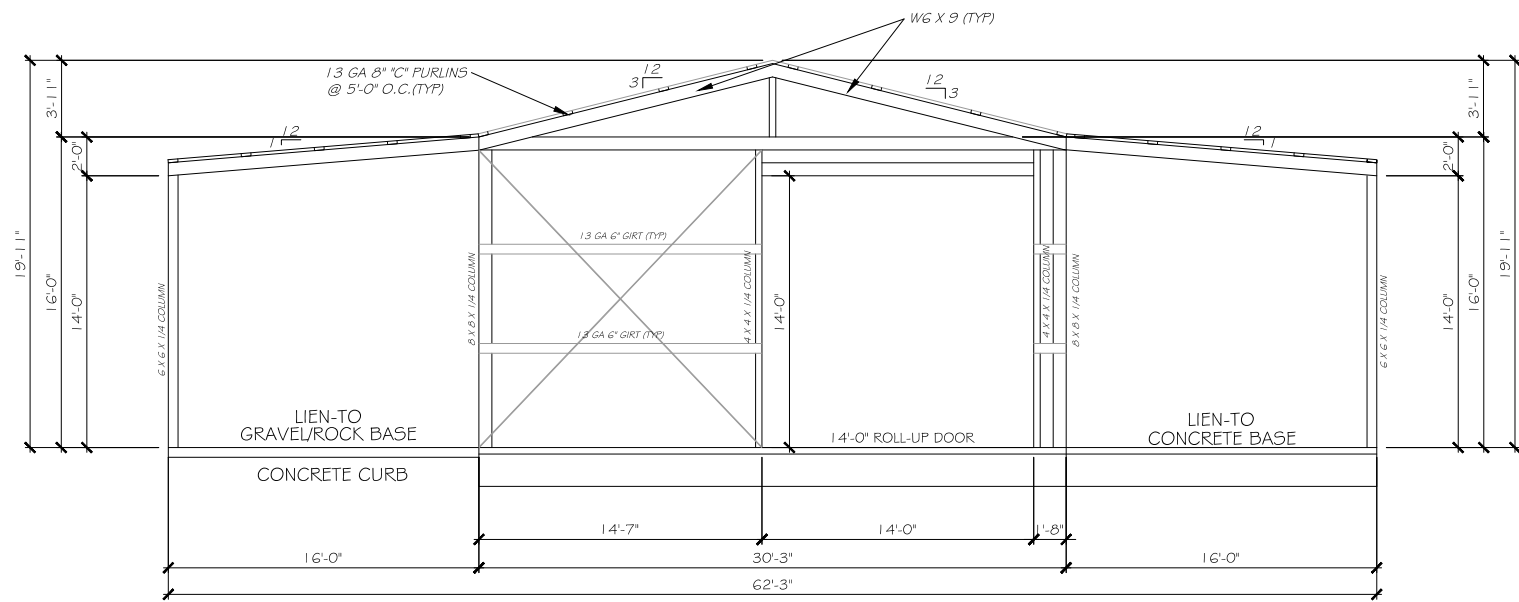
IMPROVEMENTS EXHIBIT
1.8923 ACRES LOCATED IN THE STEPHEN RICHARDSON SURVEY, ABSTRACT NO. 1286, CITY OF NORTH RICHLAND HILLS, TARRANT COUNTY, TEXAS
8033 VALLEY DRIVE

PREPARED FOR
SUSAN HOLDEN

DATE: 10/31/2024
S&A JOB NO. 24091
SCALE: 1" = 20'
DRAWN BY: M. CARTER
CHECKED BY: E. SPOONER
REVISIONS:

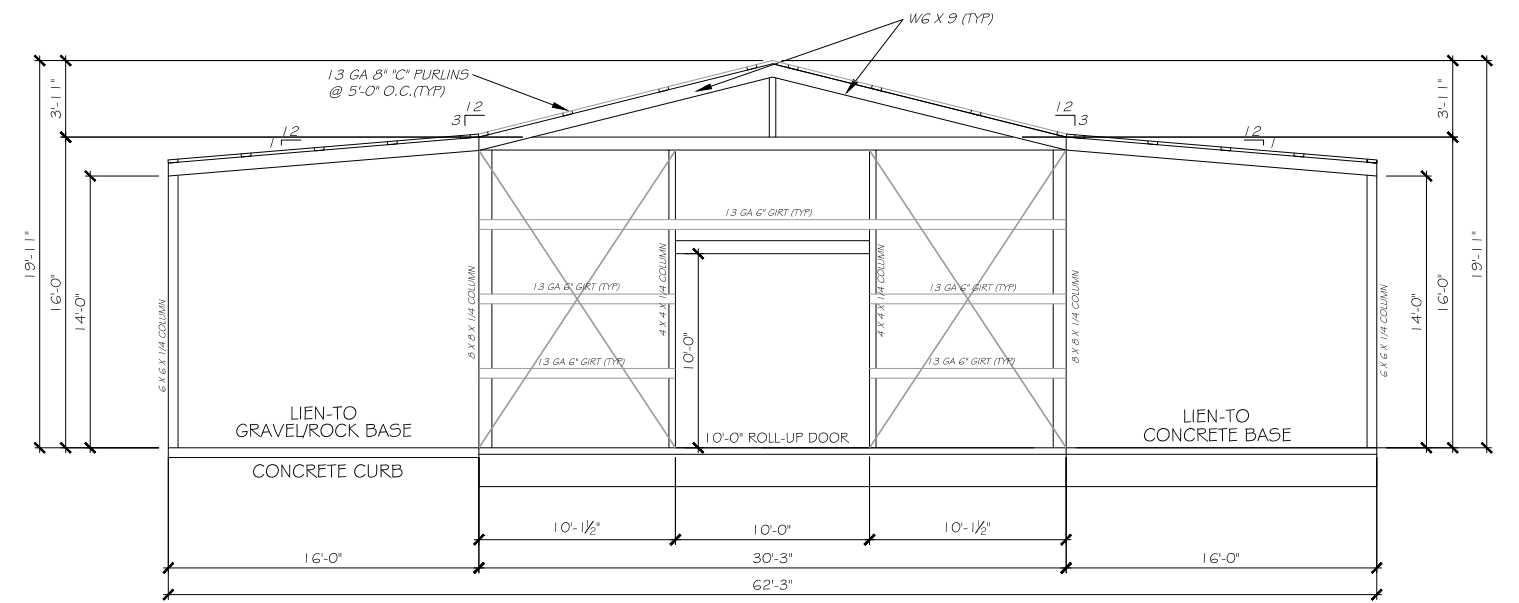
SHEET
1
OF 1

This document is confidential proprietary information of Patriot Design Solutions LLC and shall not be disclosed or copied or used for any purpose other than for which it is specifically furnished without the prior written consent of Patriot Design Solutions LLC.



VERIFY ALL DIMENSIONS WITH OWNER/BUILDER

FRONT - ELEVATION



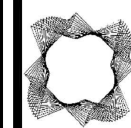
VERIFY ALL DIMENSIONS WITH OWNER/BUILDER

REAR - ELEVATION



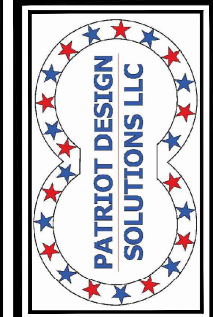
RCL THOMPSON LLC
TEXAS REGISTERED
ENGINEERING FIRM
F-21170

APPROVAL DATE:



RCL Thompson
Experience Matters

30' X 40' METAL WELD-UP
WITH LIEN-TO'S
FRONT/REAR ELEVATIONS
8033 VALLEY DRIVE
NORTH RICHLAND HILLS, TEXAS

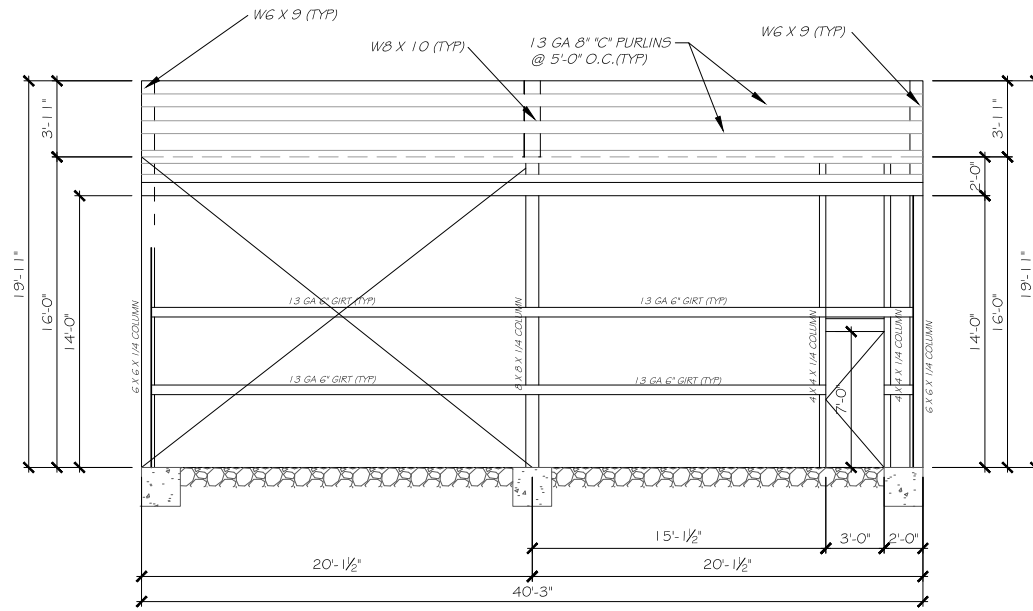


Sheet Number

3

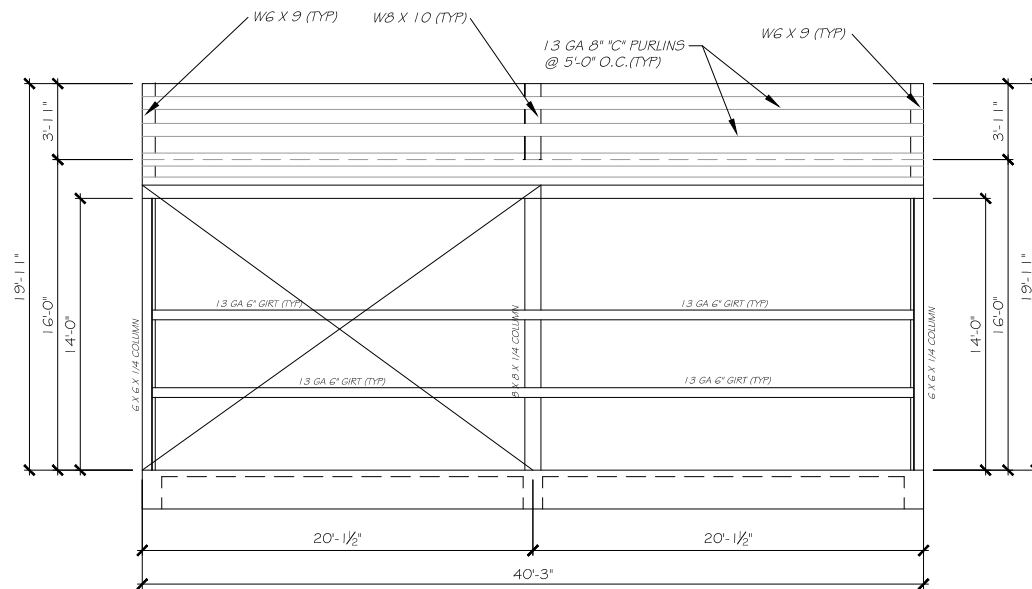
of 5 Sheets

This document is confidential proprietary information of Patriot Design Solutions LLC and shall not be disclosed or copied or used for any purpose other than for which it is specifically furnished without the prior written consent of Patriot Design Solutions LLC.



VERIFY ALL DIMENSIONS WITH OWNER/BUILDER

LEFT SIDE - ELEVATION



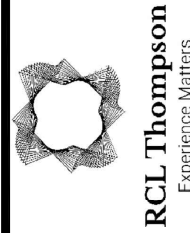
VERIFY ALL DIMENSIONS WITH OWNER/BUILDER

RIGHT SIDE - ELEVATION

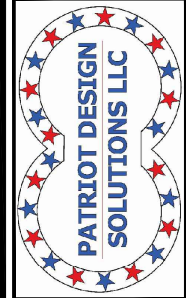


RCL THOMPSON LLC
TEXAS REGISTERED
ENGINEERING FIRM
F-21170

APPROVAL DATE:



30' X 40' METAL WELD-UP
WITH LIEN-TO'S
SIDE ELEVATIONS
8033 VALLEY DRIVE
NORTH RICHLAND HILLS, TEXAS

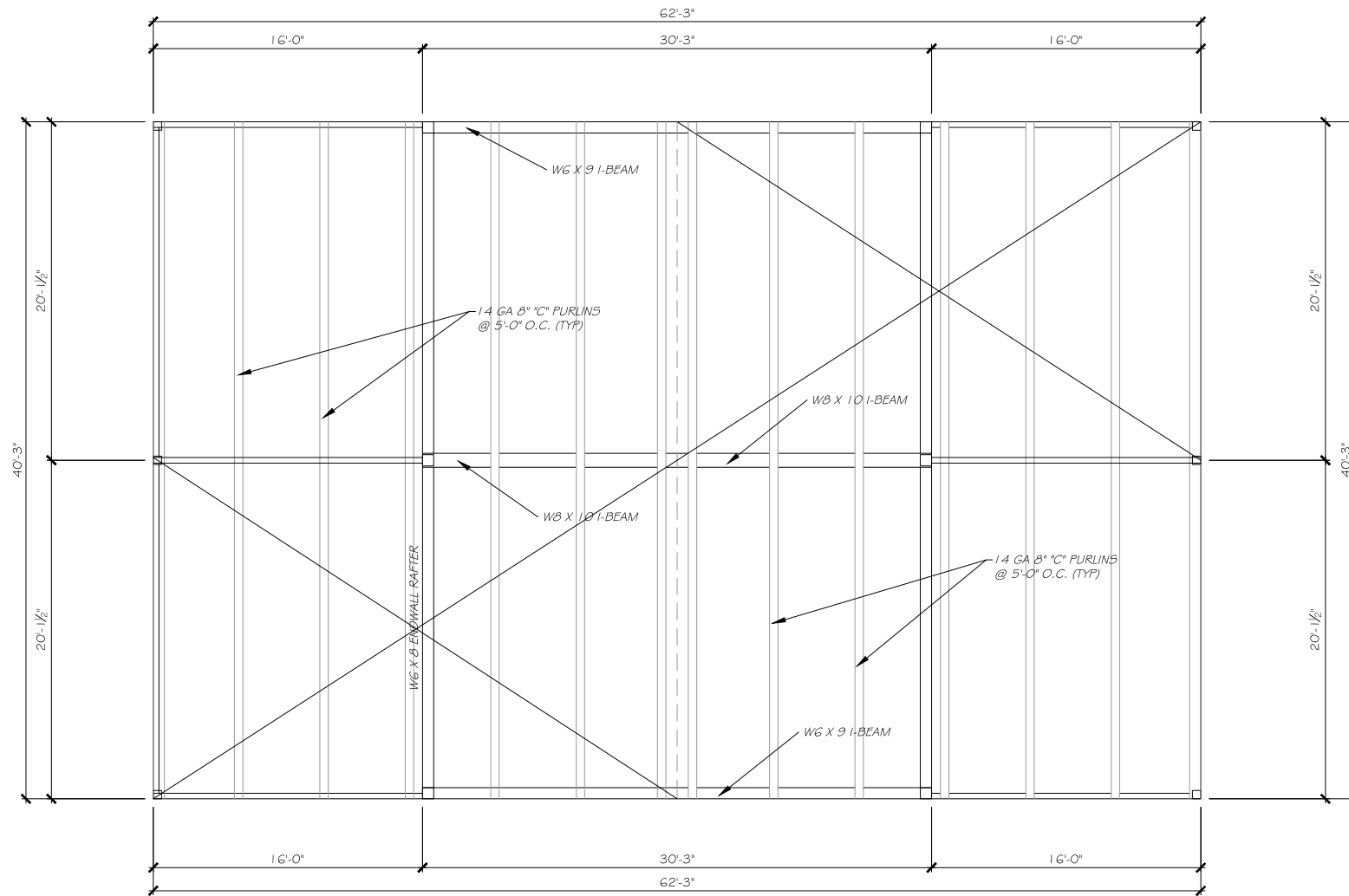


Sheet Number

4

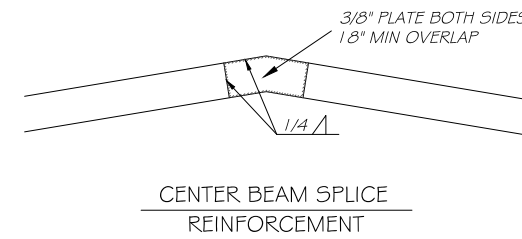
of 5 Sheets

This document is confidential proprietary information of Patriot Design Solutions LLC and shall not be disclosed or copied or used for any purpose other than for which it is specifically furnished without the prior written consent of Patriot Design Solutions LLC.



VERIFY ALL DIMENSIONS WITH OWNER/BUILDER

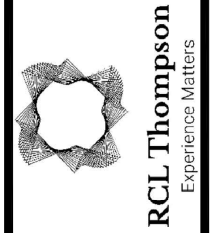
ROOF FRAMING PLAN



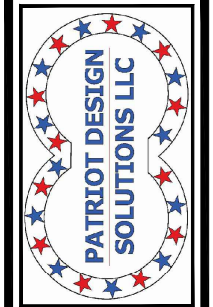
02/07/2025

RCL THOMPSON LLC
TEXAS REGISTERED
ENGINEERING FIRM
F-21170

APPROVAL DATE:
??-??-2024



30' X 40' METAL WELD-UP
WITH LIEN-TO
ROOF DESIGN
8033 VALLEY DRIVE
NORTH RICHLAND HILLS, TEXAS



Sheet Number

5

of 5 Sheets