

This document is confidential proprietary information of Patriot Design Solutions LLC and shall not be disclosed or copied or used for any purpose other than for which it is specifically furnished without the prior written consent of Patriot Design Solutions LLC.



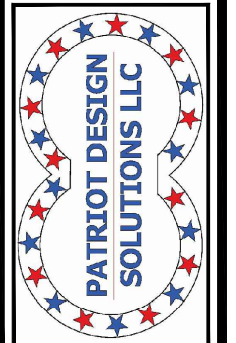
RCL THOMPSON LLC  
TEXAS REGISTERED  
ENGINEERING FIRM  
F-21170

APPROVAL DATE:

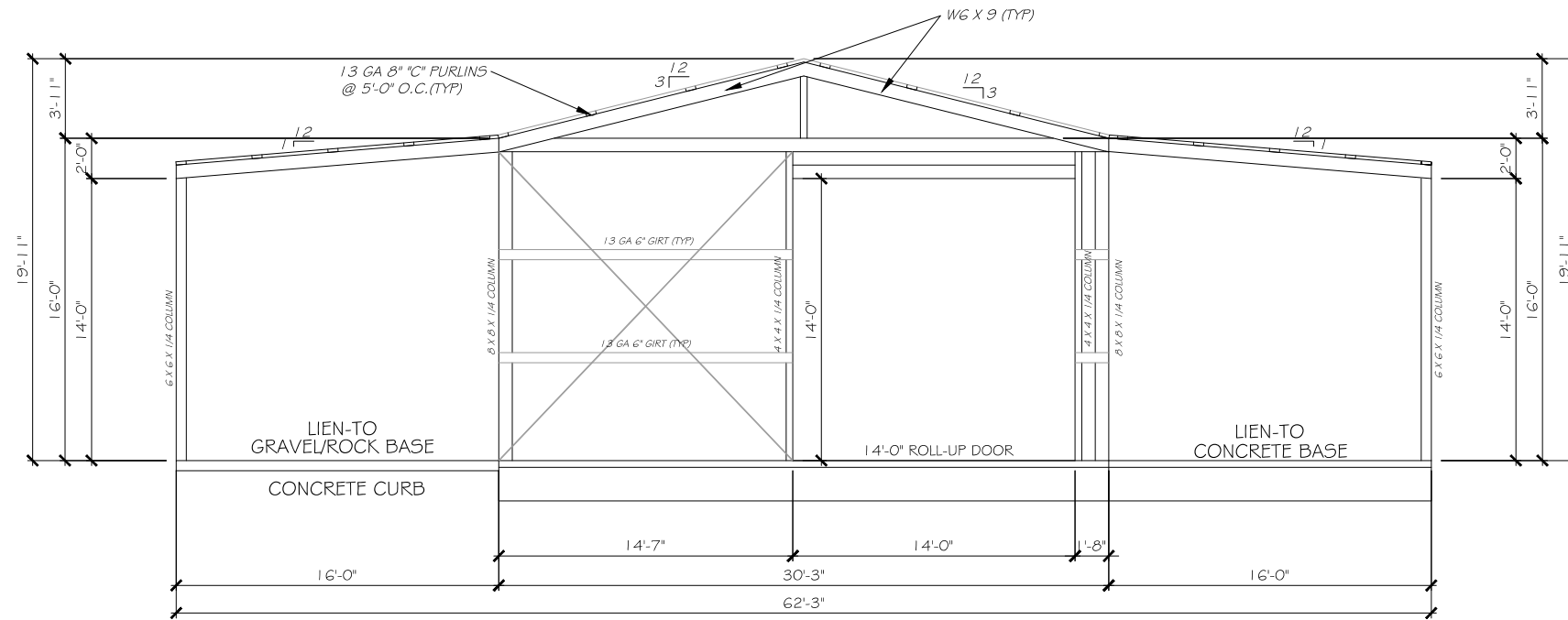


**RCL Thompson**  
Experience Matters

30' X 40' METAL WELD-UP  
WITH LIEN-TO'S  
FRONT/REAR ELEVATIONS  
8033 VALLEY DRIVE  
NORTH RICHLAND HILLS, TEXAS

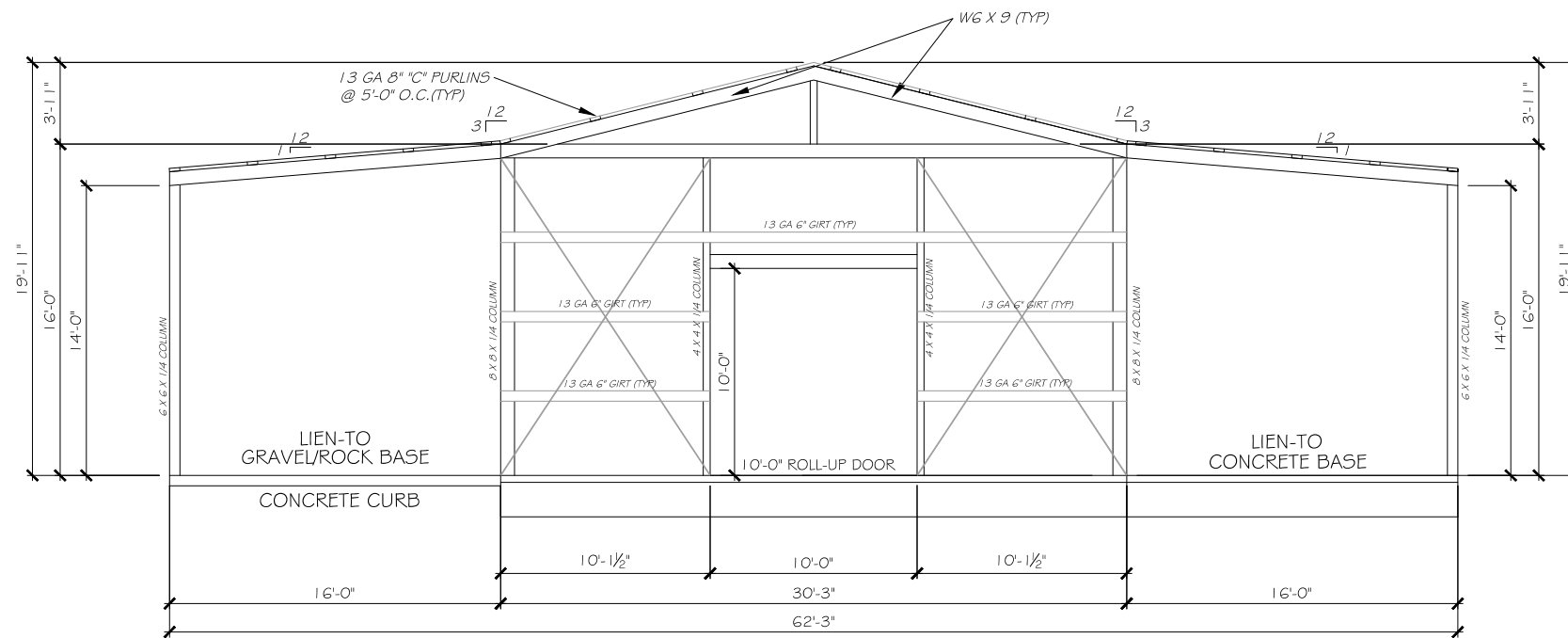


Sheet Number  
**3**  
of 5 Sheets



VERIFY ALL DIMENSIONS WITH OWNER/BUILDER

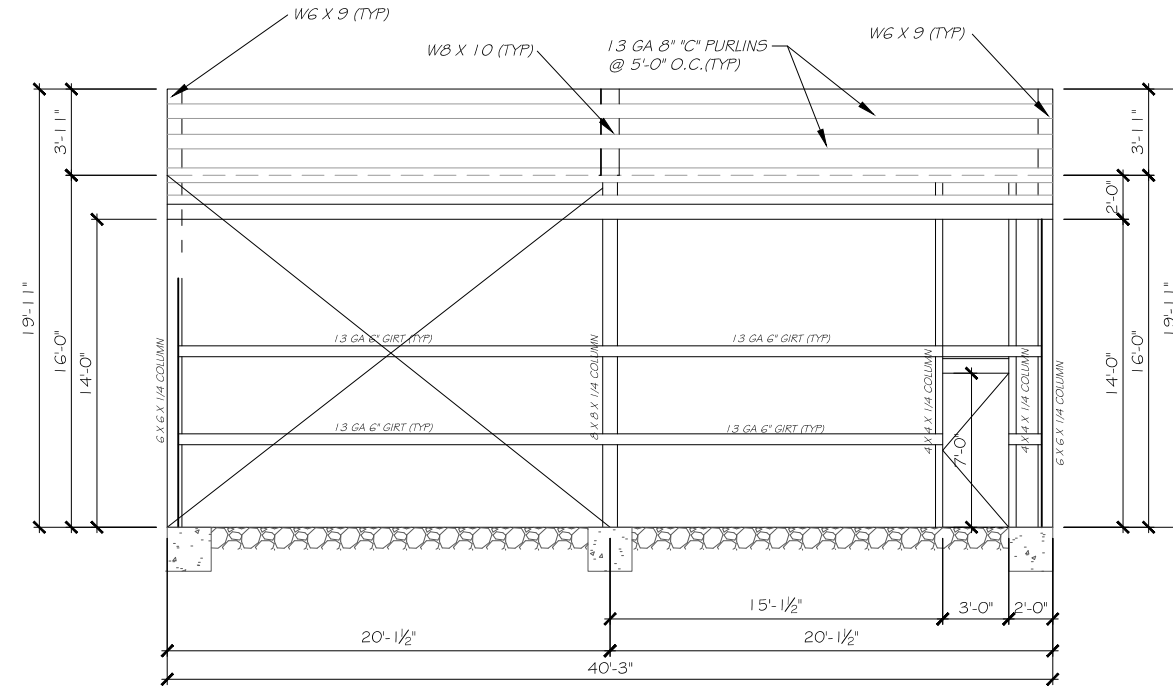
FRONT - ELEVATION



VERIFY ALL DIMENSIONS WITH OWNER/BUILDER

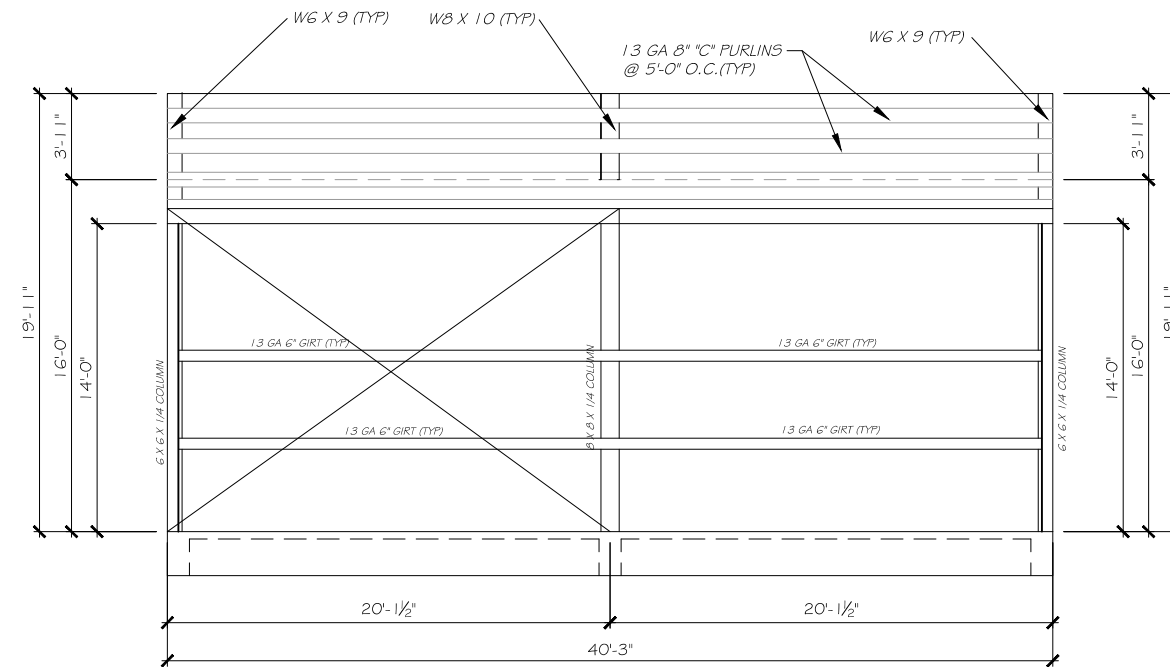
REAR - ELEVATION

This document is confidential proprietary information of Patriot Design Solutions LLC and shall not be disclosed or copied or used for any purpose other than for which it is specifically furnished without the prior written consent of Patriot Design Solutions LLC.



VERIFY ALL DIMENSIONS WITH OWNER/BUILDER

LEFT SIDE - ELEVATION



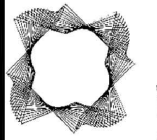
VERIFY ALL DIMENSIONS WITH OWNER/BUILDER

RIGHT SIDE - ELEVATION



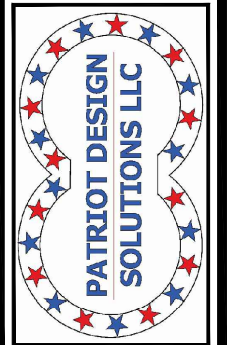
RCL THOMPSON LLC  
TEXAS REGISTERED  
ENGINEERING FIRM  
F-21170

APPROVAL DATE:



**RCL Thompson**  
Experience Matters

30' X 40' METAL WELD-UP  
WITH LIEN-TO'S  
SIDE ELEVATIONS  
8033 VALLEY DRIVE  
NORTH RICHLAND HILLS, TEXAS



Sheet Number

**4**

of 5 Sheets

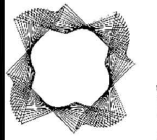
This document is confidential proprietary information of Patriot Design Solutions LLC and shall not be disclosed or copied or used for any purpose other than for which it is specifically furnished without the prior written consent of Patriot Design Solutions LLC.



02/07/2025

RCL THOMPSON LLC  
TEXAS REGISTERED  
ENGINEERING FIRM  
F-21170

APPROVAL DATE:  
??-??-2024



**RCL Thompson**  
Experience Matters

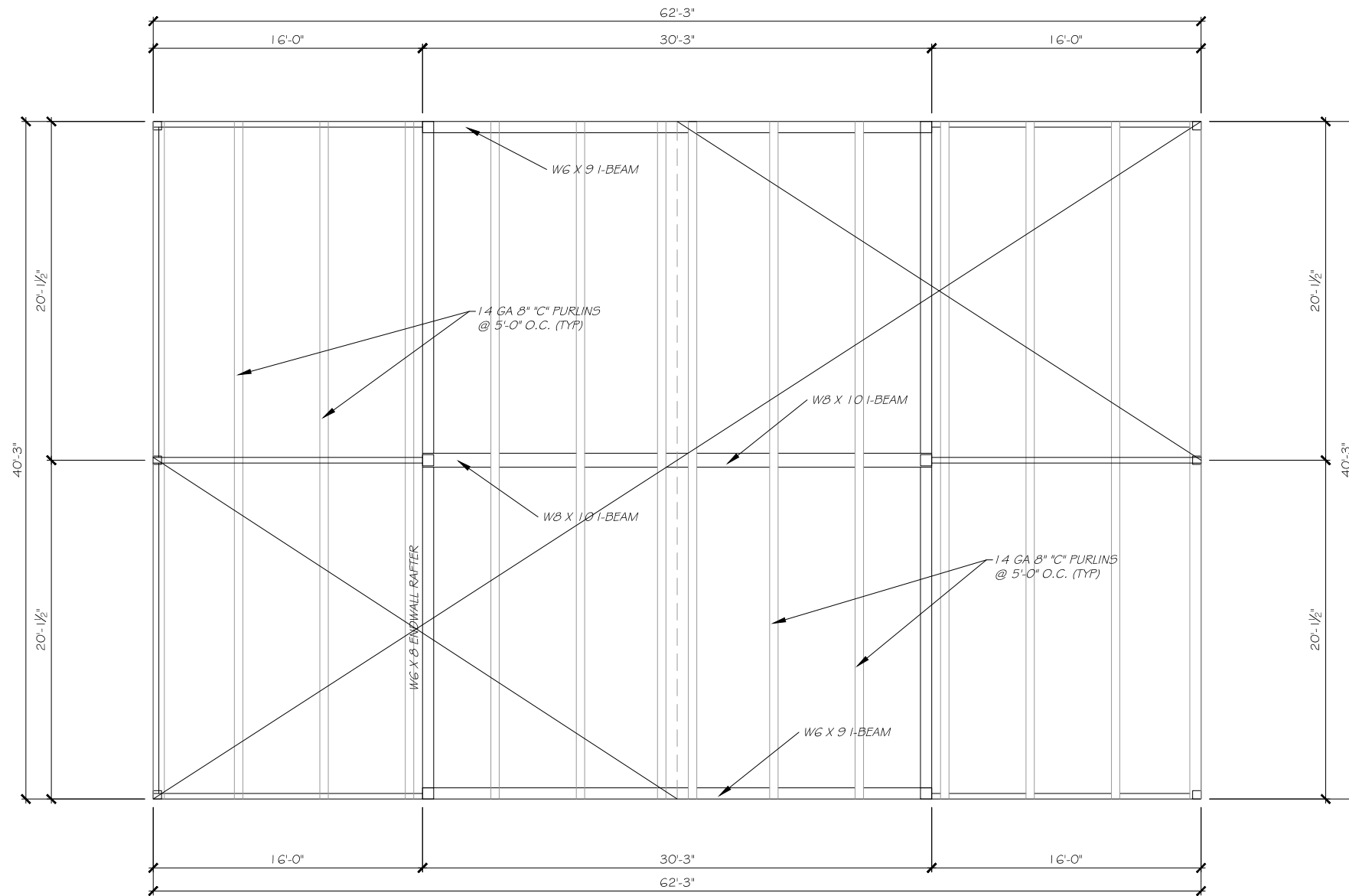
30' X 40' METAL WELD-UP  
WITH LIEN-TO  
ROOF DESIGN  
8033 VALLEY DRIVE  
NORTH RICHLAND HILLS, TEXAS



Sheet Number

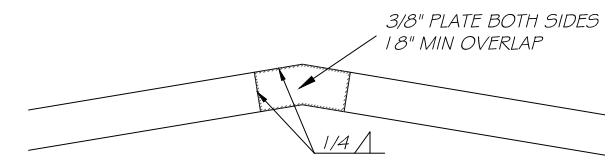
**5**

of 5 Sheets



VERIFY ALL DIMENSIONS WITH OWNER/BUILDER

ROOF FRAMING PLAN



CENTER BEAM SPLICE  
REINFORCEMENT